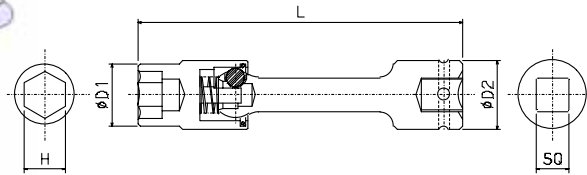
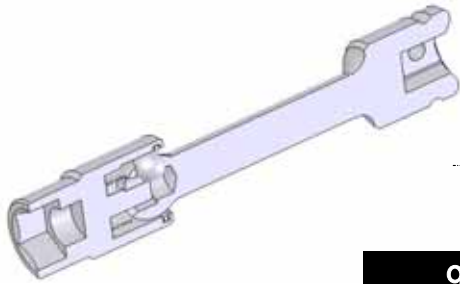


Ball Universal Sockets



This special universal mechanism minimizes torque reduction, free from pin loosening.

[Spec.]

9.52mm (3/8")

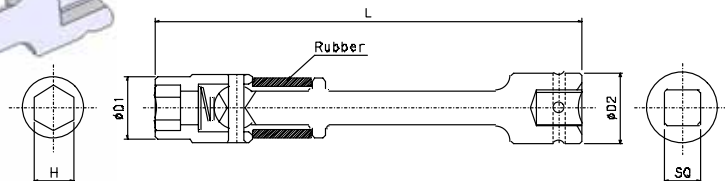
Part No.	SQ (mm)	H (mm)	D1 (mm)	D2 (mm)	L (mm)
310EUB100	9.52	10		20	100
310EUB150	9.52	10		20	150
312EUB100	9.52	12		20	100
312EUB150	9.52	12		20	150
313EUB100	9.52	13		20	100
313EUB150	9.52	13		20	150
314EUB100	9.52	14		20	100
314EUB150	9.52	14		20	150

[Spec.]

12.7mm (1/2")

Part No.	SQ (mm)	H (mm)	D1 (mm)	D2 (mm)	L (mm)
412EUB100	12.7	12		25	100
412EUB150	12.7	12		25	150
413EUB100	12.7	13		25	100
413EUB150	12.7	13		25	150
414EUB100	12.7	14		25	100
414EUB150	12.7	14		25	150

Rubber Holding Universal Sockets



The rubber keeps the body straight.
The socket works as extension and universal.

[Spec.]

9.52mm (3/8")

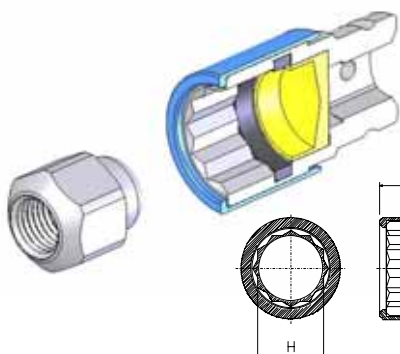
Part No.	SQ (mm)	H (mm)	D1 (mm)	D2 (mm)	L (mm)
310EUR100	9.52	10		20	100
310EUR150	9.52	10		20	150
312EUR100	9.52	12		20	100
312EUR150	9.52	12		20	150
314EUR100	9.52	14		20	100
314EUR150	9.52	14		20	150

[Spec.]

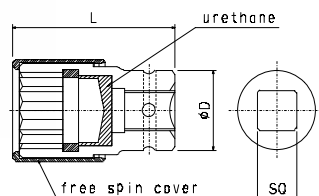
12.7mm (1/2")

Part No.	SQ (mm)	H (mm)	D1 (mm)	D2 (mm)	L (mm)
412EUR100	12.7	12		25	100
412EUR150	12.7	12		25	150
414EUR100	12.7	14		25	100
414EUR150	12.7	14		25	150
417EUR100	12.7	17		25	100
417EUR150	12.7	17		25	150

Sockets for Wheel Nut



The outside Nylon cover protects the wheel against marring, and the inside Urethane(Nylon) protects the nut from damage.



12.7mm (1/2")

[Spec.]

Part No.	SQ (mm)	H (mm)	D (mm)	L (mm)	Type
417WNC	12.7	17	25	50	Cover
419WNC	12.7	19	25	50	Cover
421WNC	12.7	21	25	50	Cover
422WNC	12.7	22	25	50	Cover